

MODEL : TURBIDRON BOBIN SARGILI - 1600 PRODUCT CODE : 021719

FILTRATION AREA : 2,01m<sup>2</sup>

FILTER DIAMETER : 1600 mm

VOLUME : 2500 L

FILTRATION MEDIA : 0,4 - 0,8 mm

OPERATION PRESSURE : 2,5 kg/cm<sup>2</sup>

TEST PRESSURE : 4 kg/cm<sup>2</sup>

FLOW RATE : 100 m<sup>3</sup>/h

FILTRATION RATE : 50 m<sup>3</sup>/h/m<sup>2</sup>

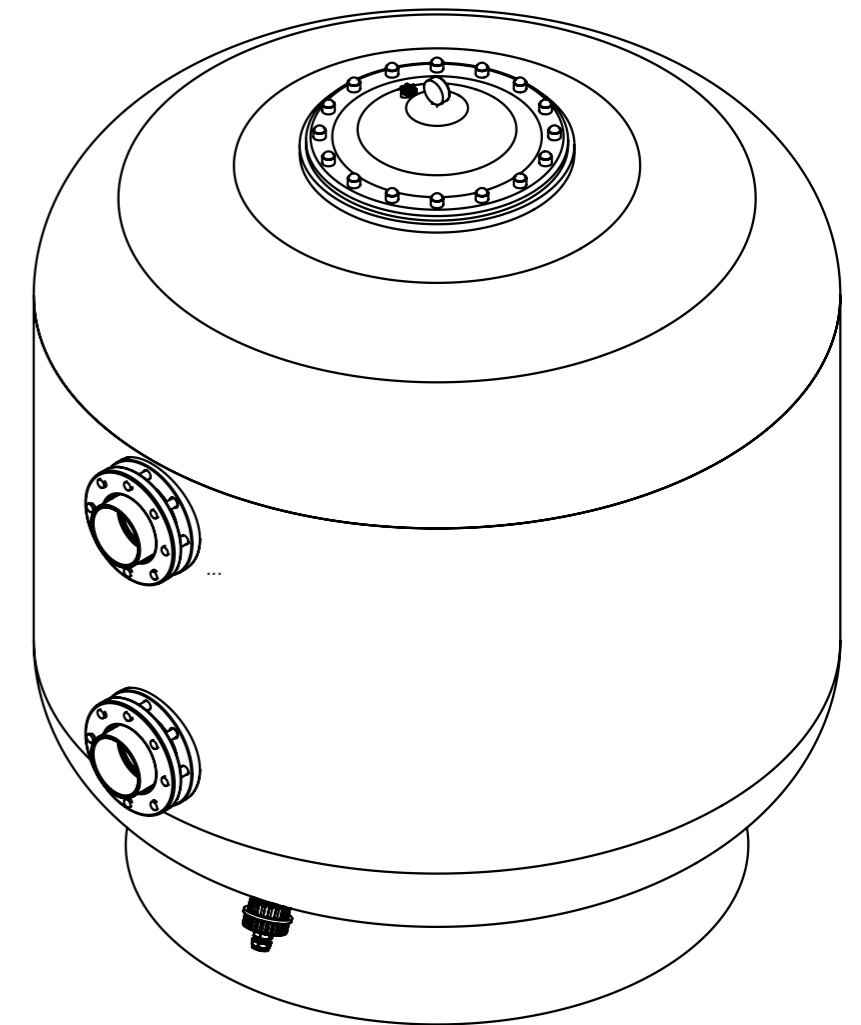
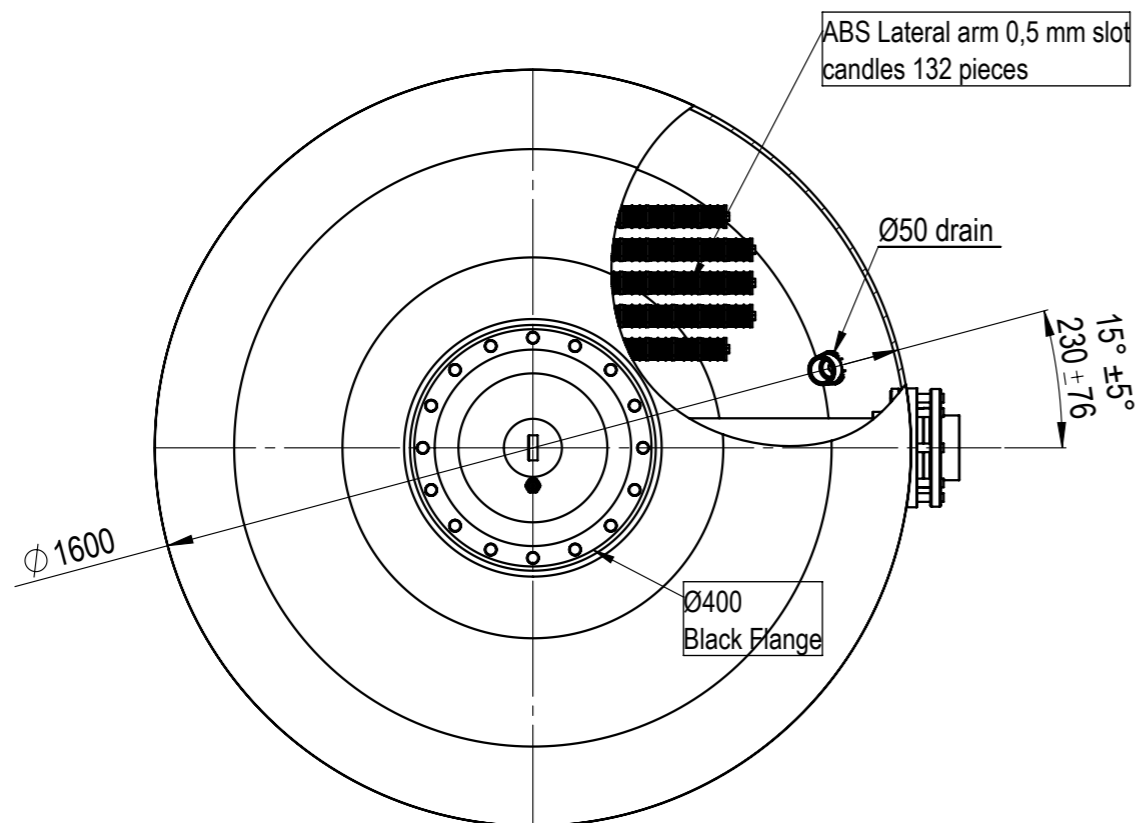
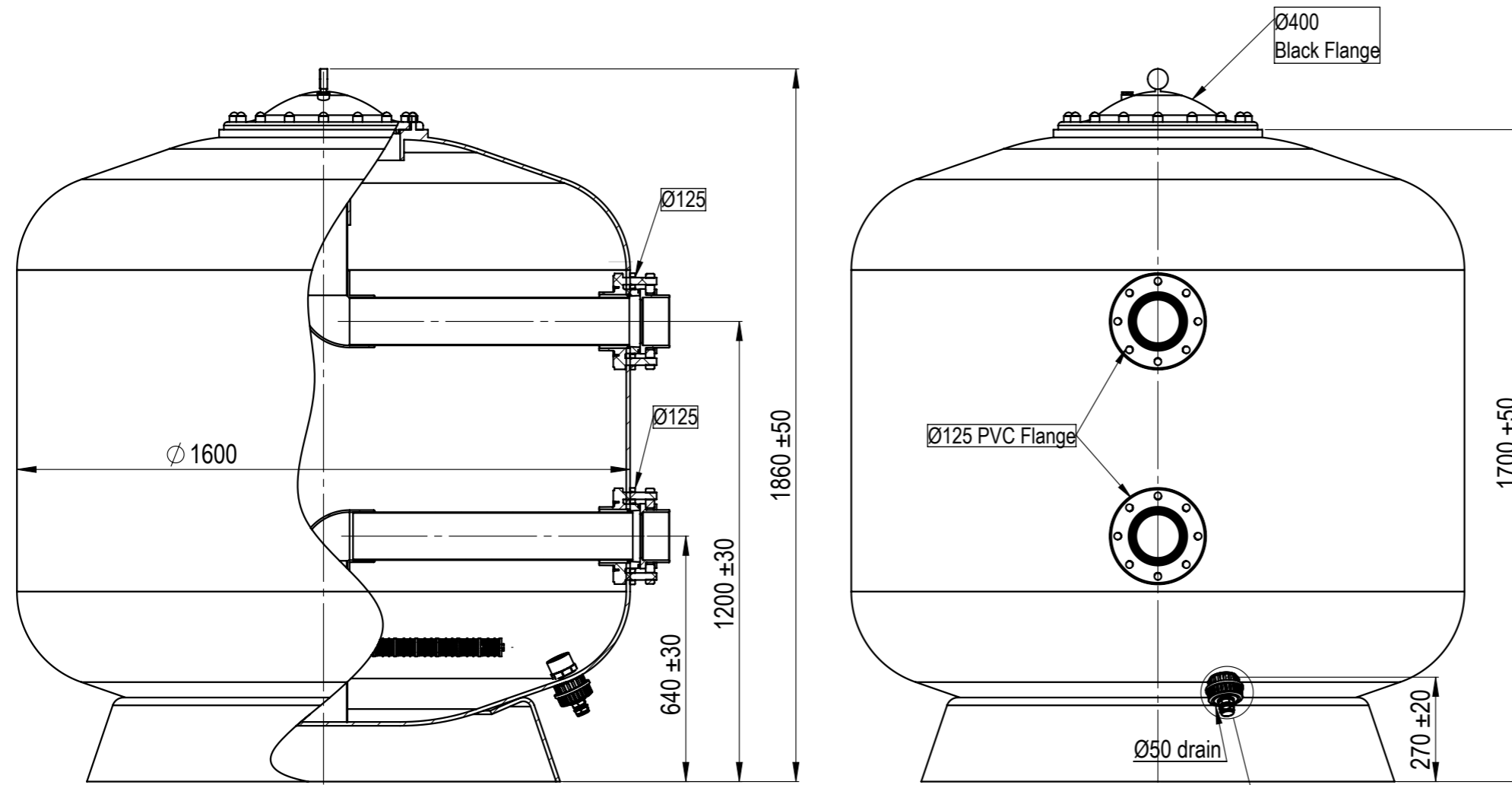
PRODUCT YEAR :

PERMISSIBLE TEMPERATURE : 40°C

COLOR CODE:

CUSTOMER NAME :

SİPARİŞ NUMARASI :



Rev. No / Rev. No	Rev. Tarihi / Rev. Date	Revizyon Notu / Revision Note	Rev.Ad-Soyad / Rev.Name-Surname	İmza / Signature		
Revizyon / Revision	Tarihi / Date	Ad-Soyad / Name-Surname	İmza / Signature	Ağırlık (gr) / Weight (gr)	Yoğunluk g/cm <sup>3</sup>	Stok Kodu / Stock No
Çizen / Designed By	05.01.2023	MELTEM KILIÇ		Ham / Rav	İşlem / Net	...
Denetleme / Inspection By	...	İBRAHİM KAYA		...	...	Tür ... 021719
Kontrol / Checked By	...	İBRAHİM KAYA				Malzeme / Material
Onay / Aproved By	...	İBRAHİM KAYA				...
Ölçek / Scale: 1/18	Parça Adı / Part Name	Turbidron Bobin Sargılı Kum Filtre D.1600				Form / Form
						Numune Görünüşü
						...

